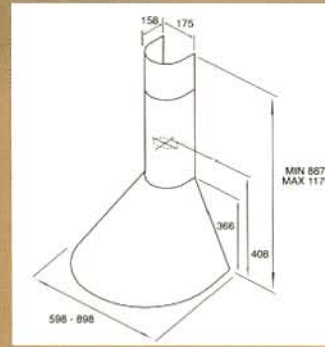




# Canopy Hoods

## Tonda E75



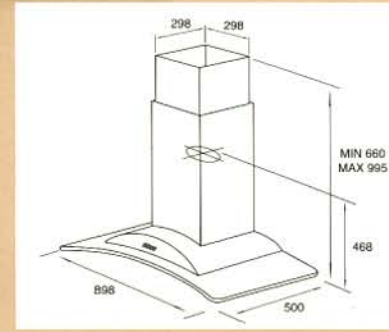
**WITH BOTTOM HANGING RAILS  
ROUND HOOD STAINLESS STEEL**

Twin 40 Watt Halogen Lamps  
Air Flow (C) 350 - 590m<sup>3</sup>/Hour max.  
Noise 55 - 65 db

3 SPEED SLIDE SWITCHES

E7516 600mm  
E7519 900mm  
Recommended for use with Electric Cook Tops Only

## Igloo E87



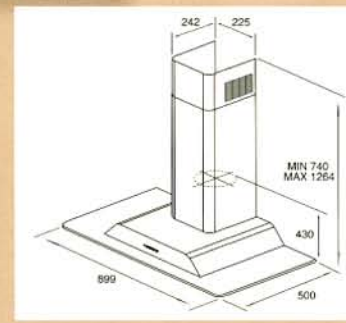
**CHIMNEY HOOD CURVED GLASS  
TOUCH CONTROL SWITCHES**

Twin 40 Watt Halogen Lamps  
Air Flow (C) 450 - 880m<sup>3</sup>/Hour

Noise (C) 45 - 59 db  
3 SPEEDS PLUS TURBO

E8719 900mm

## Lakeview E86



**CHIMNEY HOOD STRAIGHT GLASS  
PUSH BUTTON SWITCHES**

Twin 40 Watt Halogen Lamps  
Air Flow (C) 450 - 880m<sup>3</sup>/Hour

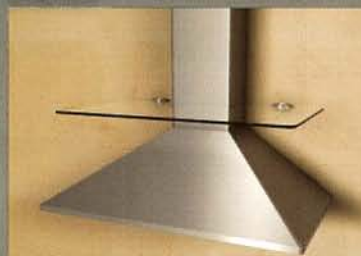
Noise (C) 45 - 59 db  
3 SPEEDS

E8619 900mm

## Accessories



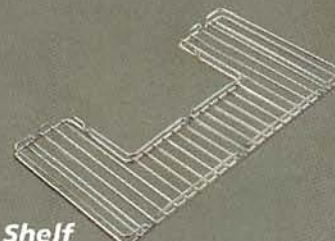
Charcoal Filter



Glass Shelf

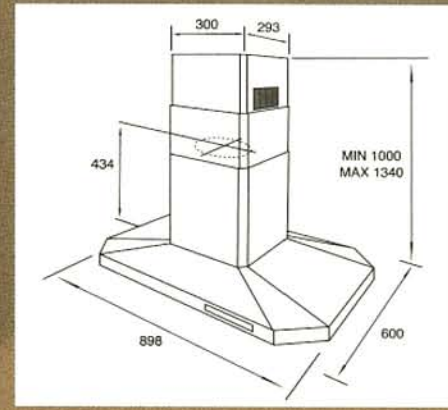


Flue Extensions



Chrome Wire Shelf

## Fiji Island E90IS



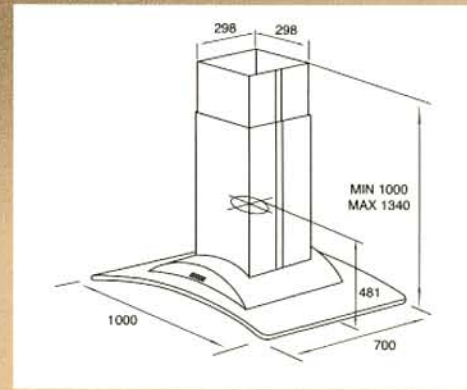
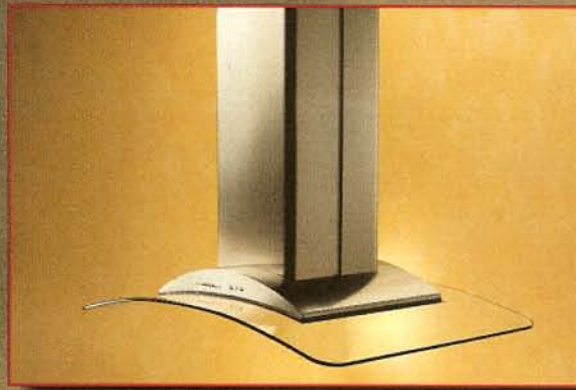
**ISLAND HOOD STAINLESS STEEL  
PUSH BUTTON SWITCHES**

Twin 18 Watt Neon Lamps

Air Flow 320 - 820m<sup>3</sup>/Hour max.  
Noise 45 - 60 db

E9019 900mm (Neon Lamps)

## Iceberg Island E88IS



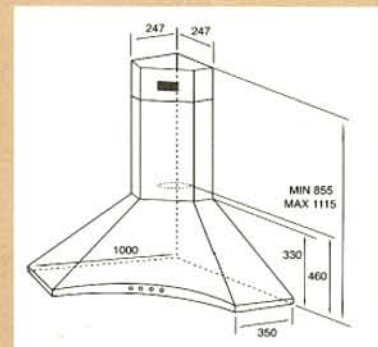
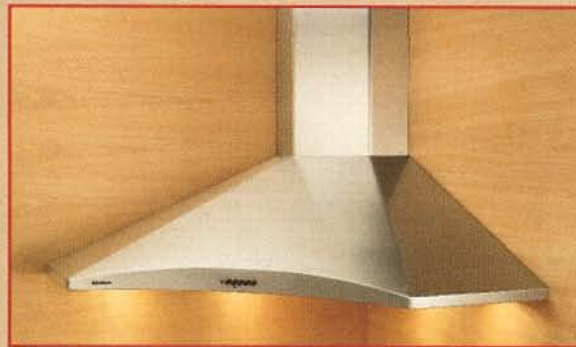
**ISLAND CURVED GLASS  
TOUCH CONTROL SWITCHES**

Quad 40 Watt Halogen Lamps  
Air Flow 450 - 880m<sup>3</sup>/Hour max.

Noise 45 - 60 db  
3 SPEEDS PLUS TURBO

E8819IS 900mm (Quad Halogen)

## Hydra E91



**CORNER STYLE STAINLESS STEEL  
PUSH BUTTON SWITCHES**

Quad 40 Watt Halogen Lamps  
Air Flow 450 - 880m<sup>3</sup>/Hour max.

Noise 45 - 60 db  
3 SPEEDS

E91100 1000mm